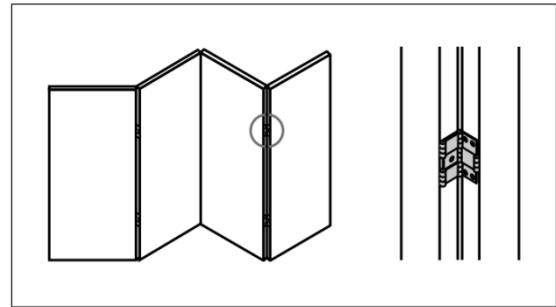
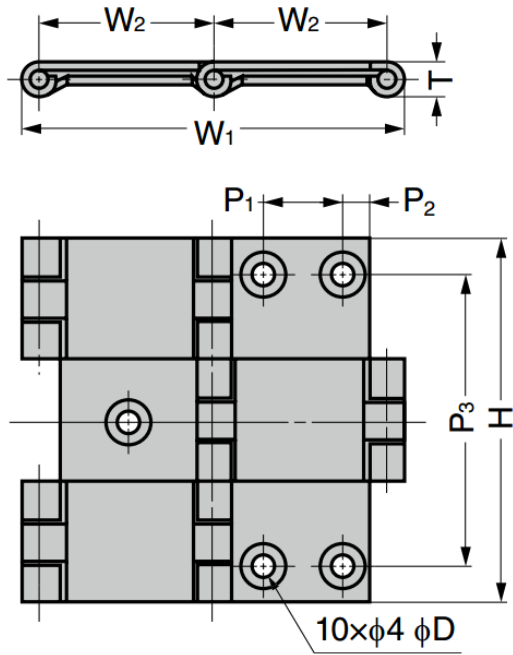


## GHG-BH Double Action Hinge

### Features

- Opens 180° in both left and right directions
- Recommended for use in pairs



Part No.	Material	Finish	H	$W_1$	$W_2$	T	$P_1$	$P_2$	$P_3$	D	Door Width	Door Height	Door Weight
GHG-BH60	Stainless Steel 304	Satin	60	64	29	5.5	13.5	4.8	47	6.5	Max. 450	Max. 700	Max. 2.6kg / pair
GHG-BH70			70	78	35	7.5		6.8	57	7			
GHG-BH80			80	94	43.2	22	6.5	66					